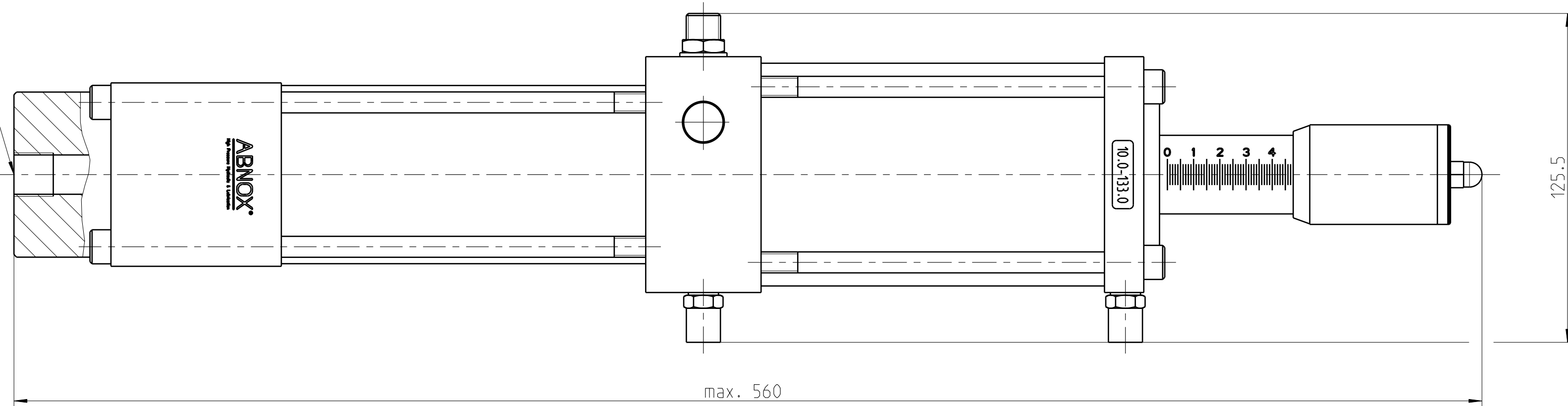
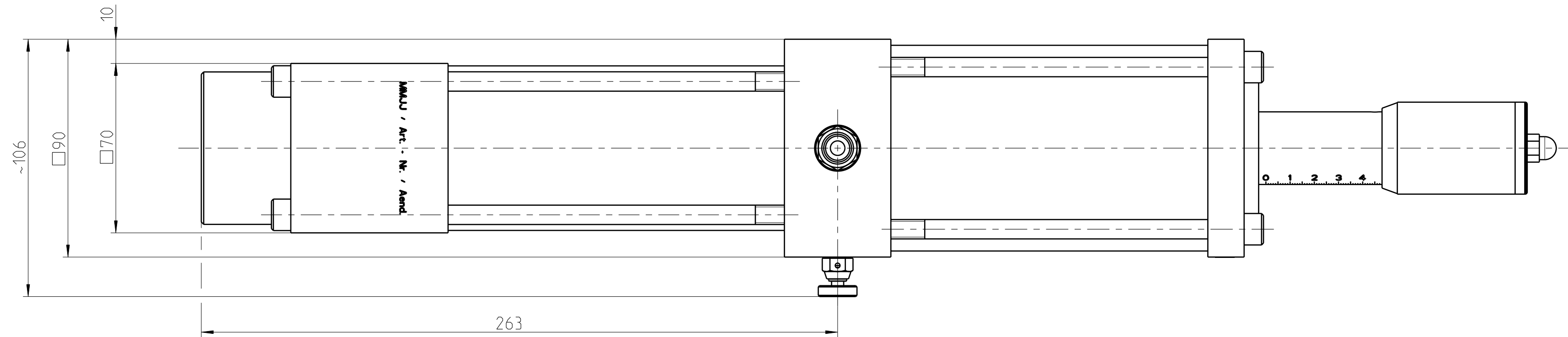


Druckausgang A dosiert
G 3/8"
Pressure output A metered
3/8" BSP



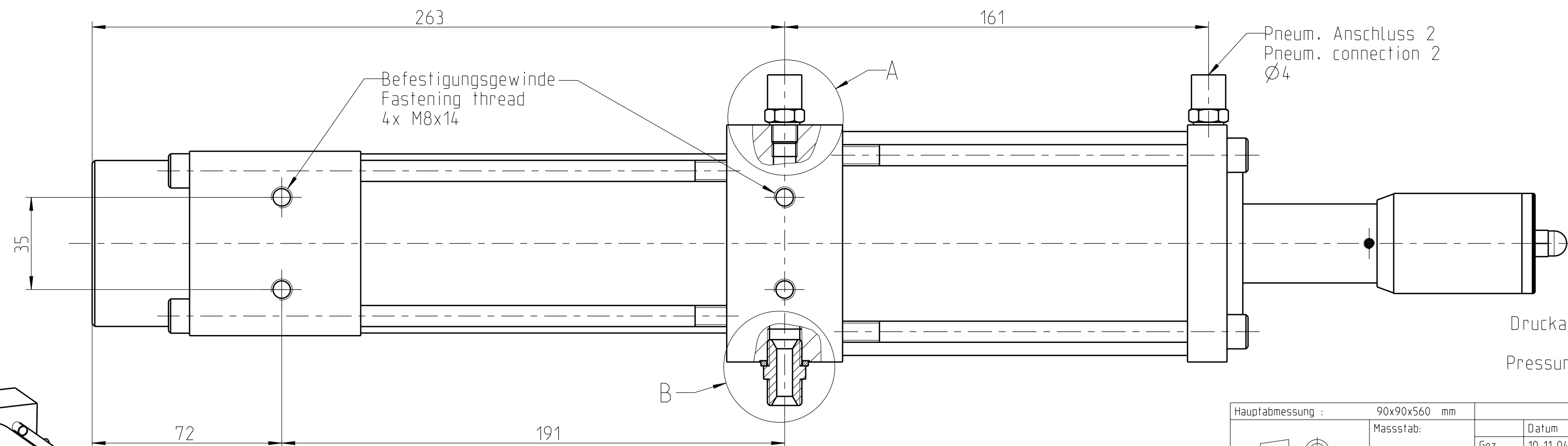
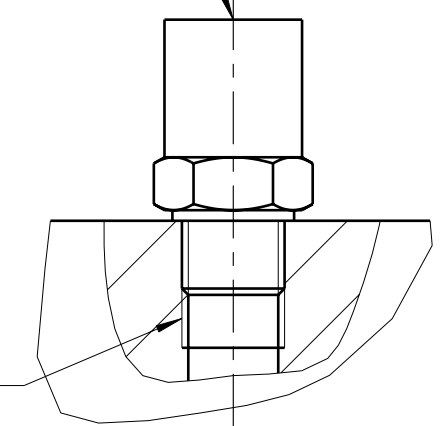
125.5

max. 560



Pneum. Anschluss 4
Pneum. connection 4
Ø4

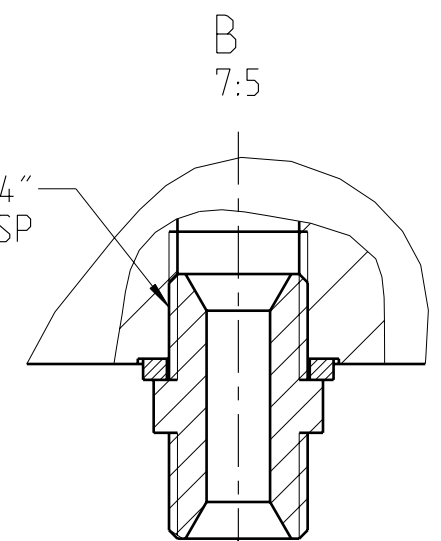
G 1/8"
1/8" BSP



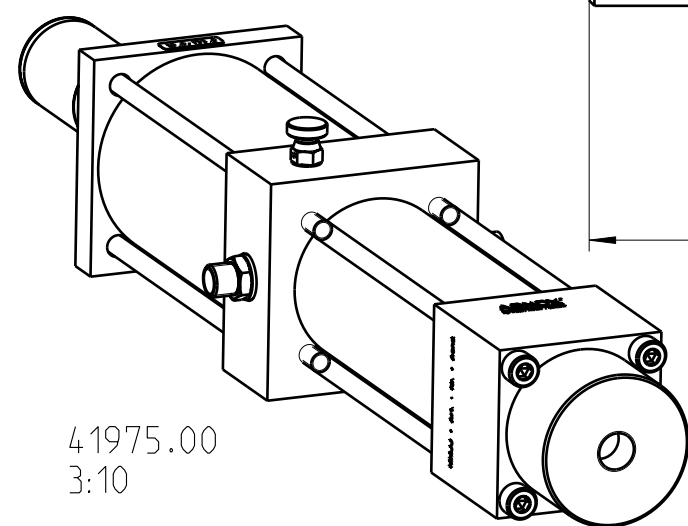
Befestigungsgewinde
Fastening thread
4x M8x14

Pneum. Anschluss 2
Pneum. connection 2
Ø4

G 1/4"
1/4" BSP

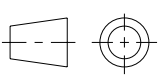



Druckanschluss P Schmiermittel
G 1/4"
Pressure connection P lubricant
1/4" BSP



41975.00
3:10

| | | | | | |
|--|-------|-------------|--|---|--|
| Hauptabmessung : 90x90x560 mm | | ERP ID Nr.: | | 0 | |
| Gez. | Datum | Visum | Benennung: | | |
| | | | Dosierventil Metering valve | | |
| Massstab: 7:10 | | | Zeichnungsnummer | | |
| Gepr. | | | M41975-00 | | |
| Freigabe: | | | Blatt Nr.: | | |
| | | | 1 | | |
| | | | Anzahl Bl.: | | |
| | | | 2 | | |
| Zust. Aenderung | | | Modell: 41975-00.ASSEM Z.-Format: A2 | | |
| Datum | | | Urspr.: 41975 Ers. f.: | | |
| Visum | | | | | |
| Langackerstrasse 25 CH-6330 Cham www.abnox.com | | | | | |

| | | | | | | |
|---|-----------------------|---|----------|--|----|---------------|
| Modell Model | | Station Station | | | | |
| Bauform Construction type | | Standard Standard | | | | |
| Ausfuehrung [cm ³] Version [cm ³] | | 10.0 - 133.0 | | | | |
| Gewicht [kg] Weight [kg] | | 6.57 | | | | |
| Anschluss Innengewinde P Connection internal thread P | | G 1/4" 1/4" BSP | | | | |
| Anschluss Innengewinde A Connection internal thread A | | G 3/8" 3/8" BSP | | | | |
| Anschluss Innengewinde 2 + 4 Connection internal thread 2 + 4 | | G 1/8" 1/8" BSP | | | | |
| Befestigungsgewinde Fastening thread | | M8 | | | | |
| Max. Druck [bar] Max. pressure [bar] | | 200 | | | | |
| Druck OUT [bar] Pressure OUT [bar] | | 80 | | | | |
| Min. pneum. Betriebsdruck [bar] Min. operating air pressure [bar] | | 5.0 | | | | |
| Max. pneum. Betriebsdruck [bar] Max. operating air pressure [bar] | | 7.0 | | | | |
| Optimaler pneum. Betriebsdruck [bar] Optimum operating air pressure [bar] | | 6.0 | | | | |
| Dosierbereich [cm ³] Dispensing range [cm ³] | | 10.0 - 133.0 | | | | |
| Einsatzmediumspezifikation Specification for operation medium | | Schmierstoffe Schmierstoffe | | | | |
| Hauptabmessung : 90x90x560 mm | | ERP ID Nr.: 0 | | | | |
|  | Massstab: 7:10 | Datum | Visum | Benennung: Dosierventil Metering valve | | |
| | | Gez. | 10.11.04 | | ST | |
| Gepr. | . | . | | | | |
| Freigabe | . | . | | | | |
| | |  Langackerstrasse 25 CH-6330 Cham www.abnox.com | | Zeichnungsnummer | | Blatt Nr.: |
| | | | | M4 1975-00 | | 2 |
| | | | | Modell: 41975-00.ASSEM | | Z.-Format: A4 |
| Zust. Aenderung | | Datum | Visum | Urspr.: 41975 | | Ers. f.: - |